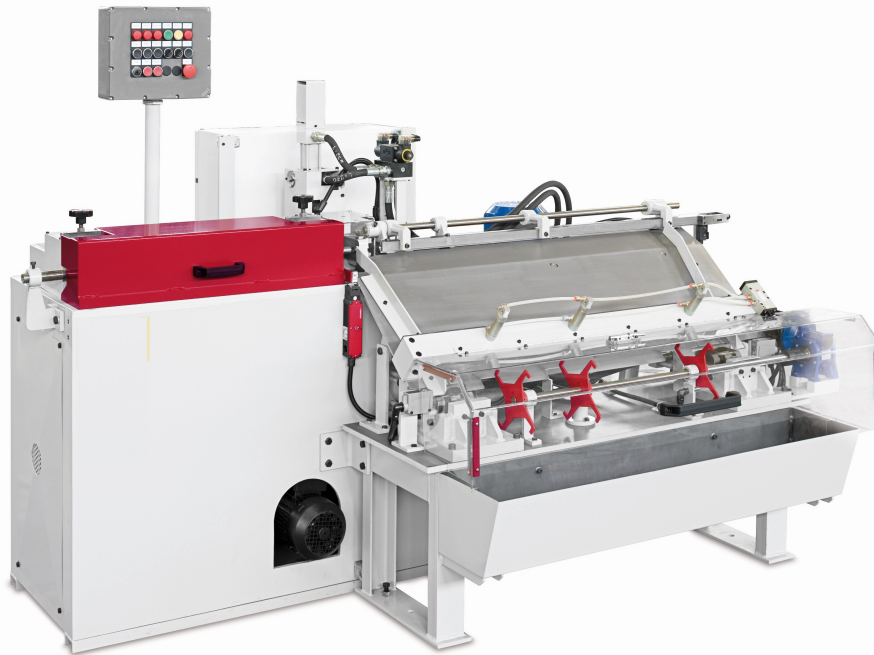


STRAIGHTENING / CUTTING / STAMPING MACHINE



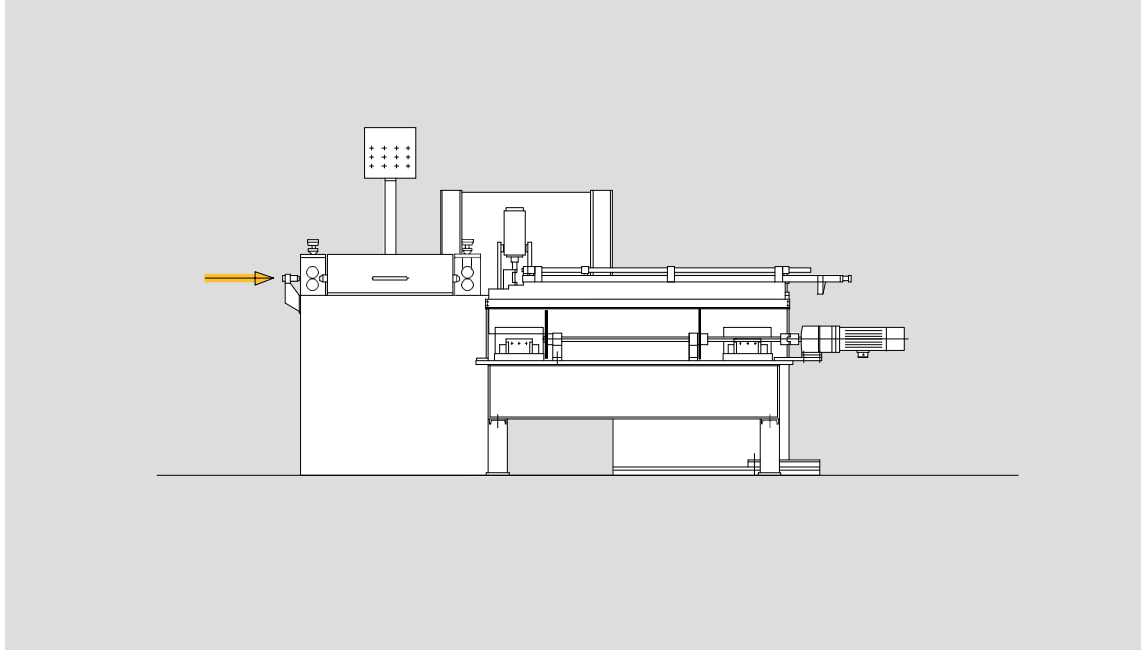
Machine to straighten, cut and stamp TIG rods.

FEATURES AND PERFORMANCES

- Type of wire: Tig, steel, stainless steel
- Wire diameters: 0,80 - 1,00 mm - without stamping 1,20 - 5,00 mm - with stamping
- Type of straightening: by bushes or hyperbolic rolls
- Cut lenght: from 500 mm to 914 mm - 1000 mm
- Type of stamping die: new modular type on 2 sides of the Tig
- Max. speed with stamping: 60m/min



WIRE INDUSTRY
Machines & Materials



DESCRIPTION

The machine consists of:

- Straightening
- Cutting
- Stamping
- Automatic packing (optional) with 6 cardboard boxes

On request: pay-off for reels or stems.